

AstroScope™ Night Vision

9350 Pocketscope



Convert Your Existing Night Vision Camera to a High-resolution Pocketscope In a Snap!

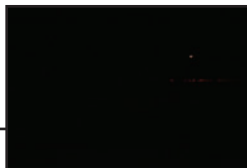
The 9350SCOPE is a unique new pocketscope configuration for the AstroScope product line. The modular 9350SCOPE provides matchless versatility. Use a “fast” C-mount lens OR attach the Front Lens Adapter (FLA) from an AstroScope 9350EOS-P system designed for use with a Canon® SLR camera or an AstroScope 9350NIKS-P designed for use with a Nikon® SLR camera and use your existing high-performance objective lenses. This feature is particularly useful for long range, low-light applications. If you already own a high quality long lens, attach it to the 9350SCOPE for unparalleled performance!

The 9350SCOPE modular design means that you only have to purchase a single image-intensifier to support multiple imaging platforms. You don't have to carry extra gear to the field. If you're carrying an SLR camera, you can share the objective lens between the camera and the 9350SCOPE. The AstroScope system is field expedient. Switching from a night vision photography platform to a pocketscope configuration (and vice-versa) is as quick and easy as changing a lens. No specialized training or complicated back-focus adjustment is required and the operation takes less than 10 seconds in the dark.

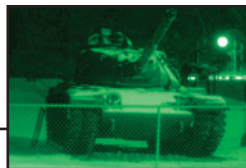
Experience the difference.

See 10 to 12 F-stops more light!

Without AstroScope



With AstroScope



Both shots were taken using the same camera settings.

Don't settle for the limited functionality and average performance from common pocketscopes. Choose the powerful 9350SCOPE for high resolution, long stand-off surveillance in a versatile package, at an affordable price.

Features	Benefits
• Field Expedient	• Highest level of usability
• Compatible with commercial-off-the-shelf (COTS), high-performance SLR Camera Lenses OR fast C-Mount Lenses	• Save money, carry less gear into the field, and get higher performance
• Compact, lightweight, rugged and versatile Chassis Design	• The modular, epoxy-coated aluminum chassis is designed for use in the harshest field environments
• Modular versatility	• Share intensifier between imaging platforms, saving you more money
• Longer range than traditional pocketscopes/monoculars	• Optionally utilize telephoto SLR lenses for safer, long-standoff surveillance work



Military Tactical Imaging



Law Enforcement



Government Surveillance



Low-light Still Photography



Photojournalism/News Gathering

AstroScope™ Night Vision

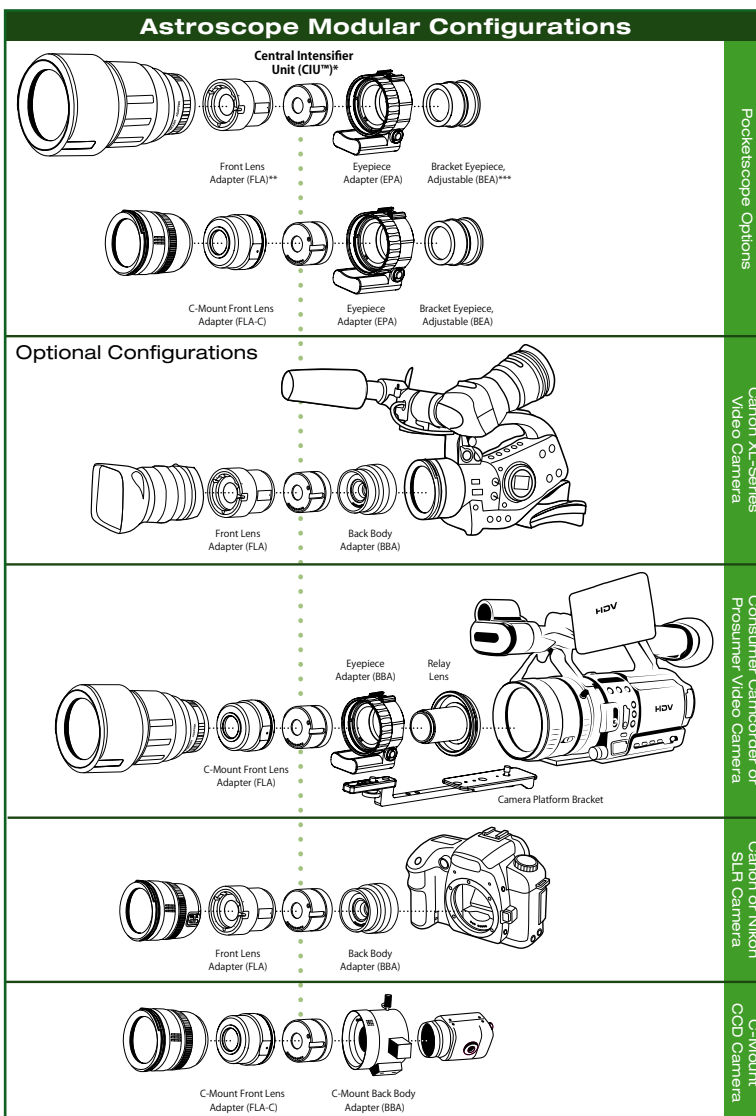
9350 Pocketscope

A design that delivers optimum performance in every configuration.

The 9350SCOPE's modular design means you only have to purchase a single image intensifier to support multiple imaging platforms.

Most pocketscopes are designed for short range, wide angle viewing. If you already own a high-quality SLR camera long lens, such as a 70-200mm F2.8, attach it to the 9350SCOPE for unparalleled performance!

- ◆ **Field expedient (highest level of usability)**
- ◆ **Compatible with commercial-off-the-shelf (COTS) high-performance SLR camera lenses (when you swap modular components from the AstroScope 9350EOS-P or 9350NIKS-P for Canon or Nikon)**
- ◆ **Save money, carry less gear into the field, and get higher performance**
- ◆ **Compact, lightweight, rugged and a versatile chassis design**
- ◆ **Modular versatility means you can share the intensifier between imaging platforms, saving you more money**
- ◆ **Cold Shoe Accessory Mount for an IR Illuminator**
- ◆ **1/4" x 20 threaded tripod or accessory mount**
- ◆ **Select Gen III image intensifiers powered by AAA batteries for long operating cycles**



Ordering Information	
ITEM	DESCRIPTION
AstroScope 9350SCOPE Model #: 9350SCOPE Part #: 914687	Included components: Eyepiece Adapter (EPA), C-Mount Front Lens Adapter (FLA-C), C-Mount Lenses, and Eyepiece (BEA)
Central Intensifier Units	
Gen III Aviation* Model #: 9350CIU3-A Part #: 914365	Super high-performance grade, third generation image intensifier, specially selected for the most demanding military applications. Leading-edge sensitivity, resolution and contrast with better halo reduction and anti-blooming technology.
Gen III Pinnacle Model #: 9350CIU3-N Part #: 914248	Exceptional grade, third generation image intensifier, specially selected for highly demanding military applications. State-of-the-art sensitivity, resolution and contrast, with built-in technology designed to reduce halos and blooming effects!
Gen III Omni IV Model #: 9350CIU3-IV Part #: 914065 NSN: 5855-01-498-4949	Specially selected, third generation image intensifier. Military-grade sensitivity, resolution and contrast.

*Aviation-grade image intensifiers are subject to limited availability.

*The Central Intensifier Unit (CIU) is a **common module** used in all AstroScope configurations.

**The Pocketscope configuration will accept a Front Lens Adapter (FLA) from a Canon® or Nikon® SLR camera AstroScope assembly or an FLA designed for a c-mount lens (as used in the non-removable lens camcorder configuration).

***If you disassemble the AstroScope camcorder bracket assembly (fourth configuration above) and purchase the Bracket Eyepiece Adjustable (BEA, sold separately), you can easily construct the highly versatile Pocketscope depicted in the second configuration.

Electronic News Gathering application image from *Devil's Brigade* television series - © Monarch Films. All rights reserved.