

AstroScope™ Night Vision

for CCD Cameras



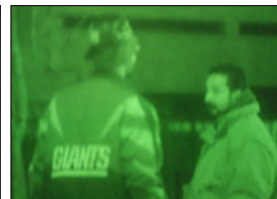
Night-time Surveillance



Low Light Research



Nocturnal Observation



Security

Night Vision Module for C-mount CCD Cameras

Sofradir EC AstroScope is a high-performance night vision module that transforms dark scenes (below 10^{-4} lux) into bright, high-resolution imagery. The AstroScope 9350CCD creates a powerful, but compact system that adds night vision capabilities to CCTV cameras.

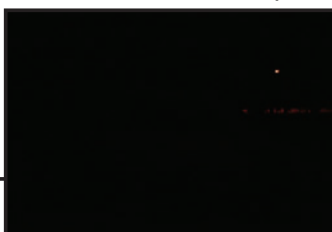
The heart of the AstroScope system is the Central Intensifier Unit (CIU). AstroScope's modular design enables you to expand your capabilities by allowing you to easily transfer the image intensifier to other platforms including Canon® and Nikon® SLR cameras, removable-lens camcorders like the Canon® XL2, and a portable handheld scope.

When you need to get the shot, AstroScope delivers.

Experience the difference.

See 8 to 10 F-stops more light!

Without AstroScope



With AstroScope



BOTH SHOTS WERE TAKEN USING THE SAME CAMERA SETTINGS.

Features	Benefits
<ul style="list-style-type: none"> Adaptable to C-Mount Devices such as CCTV Cameras, Telescopes, and Microscopes 	<ul style="list-style-type: none"> Take advantage of the opportunity to "swap" a CIU from one AstroScope system configuration to another (for example, use one CIU for a camcorder, a digital SLR camera, and a CCTV night vision setup).
<ul style="list-style-type: none"> Improved Low-light Performance by 8 to 10 F-stops! 	<ul style="list-style-type: none"> Capture bright, tack-sharp, edge-to-edge image detail. The AstroScope system is the highest performance design available for night vision imaging.
<ul style="list-style-type: none"> Modular Design 	<ul style="list-style-type: none"> Offers added flexibility, versatility and affordability

AstroScope™ Night Vision for CCD Cameras

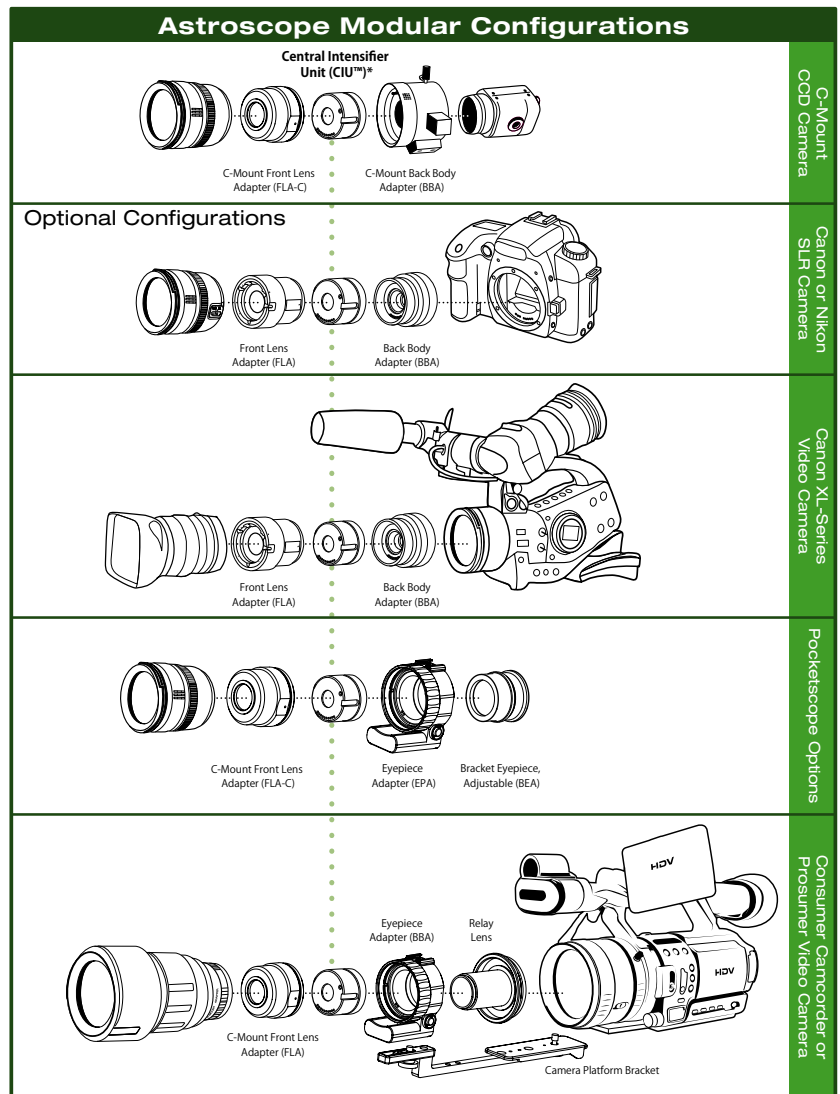
A design that delivers optimum performance in every configuration.

Easy To Use

The AstroScope 9350CCD requires little set up and no calibration or specialized training.

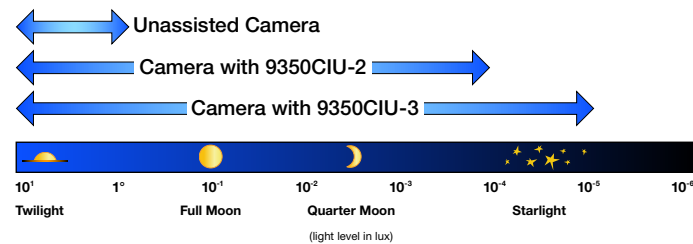
1. Remove the objective lens and attach the 9350CCD system to the camera lens mount.
2. Re-attach the lens (or attach any C-Mount lens or device) and attach the leads on the 9350CCD to a 3-14 volt power source.
3. Adjust the back-focus control on the 9350CCD to optimize image sharpness.

You are now ready for night-time or low-light video recording! Once the 9350CCD is installed, you still have full control of the lens iris and zoom.

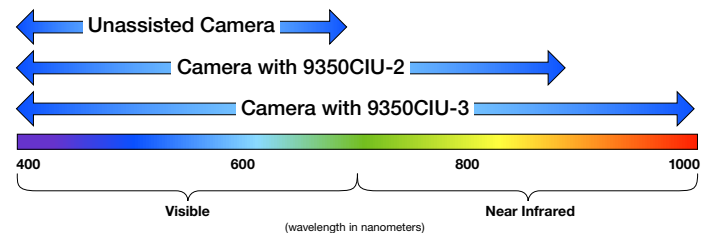


Technology

The AstroScope dramatically extends the camera's usable light range by 8 to 10 F-stops.



With the AstroScope, the usable spectral range changes, increasing near-infrared response.



AstroScope™ Night Vision

for CCD Cameras

Ordering Information	
ITEM	DESCRIPTION
9350CCD-C Standard – Part #: 914738 9350CCD-CV Variable Gain – Part #: 915314	AstroScope C-Mount CCD Adapter Pair – Includes C-Mount CCD Back Body Adapter and C-Mount Front Lens Adapter. Requires a C-Mount Objective Lens, Common Module Central Intensifier Unit, and 3-14 VDC Power Source.
9350CCD-3PRO Standard – Part #: 914739	AstroScope C-Mount CCD Adapter Pair – Includes C-Mount CCD Back Body Adapter, C-Mount Front Lens Adapter, and Gen III Central Intensifier Unit. Requires a C-Mount Objective Lens and 3-14 VDC Power Source.
Central Intensifier Units	
Gen III Aviation 9350CIU-3A Standard – Part #: 914365 9350CIU-3AV Variable Gain – Part #: 914984	Super high performance-grade, thin-filmed, auto-gated third-generation image intensifier, specially selected for the most demanding military applications. Leading-edge sensitivity, resolution and contrast with better halo reduction and anti-blooming technology. Aviation-grade image intensifiers are subject to limited availability. Available in standard and variable gain controllable.
Gen III Pinnacle 9350CIU-3N Standard – Part #: 914248 9350CIU-3NV Variable Gain – Part #: 914986	Exceptional-grade, thin-filmed, auto-gated, third-generation image intensifier, specially selected for the most demanding military applications. State-of-the-art sensitivity, resolution and contrast, with built-in technology designed to reduce halos and blooming effects. Available in standard and variable gain controllable.
Gen III Omni IV 9350CIU3-IV Standard – Part #: 914065 9350CIU3V-IV Variable Gain – Part #: 914985	Specially selected, third-generation image intensifier. Military-grade sensitivity, resolution and contrast. Available in standard and variable gain controllable.
Gen III Intl 9350CIU-3F-1600 Standard – Part #: 914399 9350CIU-3FV-1600 Variable Gain – Part #: 914982 9350CIU-3F-1400 Standard – Part #: 914238 9350CIU-3FV-1400 Variable Gain – Part #: 915234	Specially selected, third-generation image intensifier for international customers requiring Gen III quality. Available in standard and variable gain controllable.
Objective Lenses	
Part #: 914309	8 mm F1.3 C-mount Objective Lens
Part #: 915229	25 mm F1.8 C-mount Objective Lens
Part #: 903020	50 mm F1.3 C-mount Objective Lens
Part #: 914029	75 mm F1.3 C-mount Objective Lens
Part #: 908000	135 mm F2.8 C-mount Objective Lens
Part #: 908006	12.5-75 mm F1.2 C-mount Objective Lens
9350FLA-PVS	Front Lens Adapter that includes an integrated 26mm F1.2 1X high performance Night Vision Objective Lens. Replaces the 9350FLA included in the standard bracket adapter, eliminating the need for a C-mount Lens.

EXPORT LIMITATIONS:

These devices utilize state-of-the-art technology that is under control of the us government. Therefore, exportation requires proper licensing, and prior authorization is required for re-export or transfer. *Please contact us for details.*